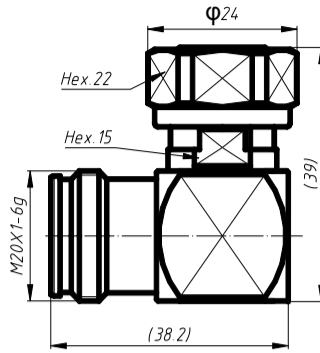


Product Specification

LAD 4310MA-4310F / 7402475



4.3-10 type right angle male To 4.3-10
Straight female

ID: 2.4.81.8382.1(01)

AD100032 Rev: A0

*The above picture is only for reference, we may change the appearance design in order to enhance performance without notification.

Material and Plating

Center contact Pin	Brass / Silver Plated
Center contact Socket	Tin Bronze / Silver Plated
Outer contact	Tin Bronze / Silver Plated
Body	Brass / Trimetal Plated
Dielectric	PTFE
Gasket	Silicon Rubber
Nut	Brass / Nickel Plated

Electrical Specifications

Characteristics Impedance	50 Ohm
Frequency Range	DC~6.0GHz
Insulation Resistance	$\geq 5000M\Omega$
Dielectric Withstanding Voltage	2500V rms
Operating Voltage	1400V rms
Center contact resistance	$\leq 1.0m\Omega$
Outer contact resistance	$\leq 0.6 m\Omega$
Insertion Loss	@DC-3 GHz $\leq 0.17dB$
VSWR	@DC-3 GHz ≤ 1.10
PIM3(2*43dBm)	@1800MHZ $\leq -160dBc$

Environmental & Mechanical Specifications

Durability (matings)	≥ 500 cycles
Mechanical Shock Test Method	MIL-STD-202, Method 213, Test Condition D
Vibration Test Method	MIL-STD-202, Meth. 204, Cond. A
Temperature Range	-45°C to +85°C
RoHS	Compliant

Regulatory Compliance / Certification

ISO 9001:2015	Compliant
---------------	-----------

The facts and figures contained herein are carefully compiled to the best of our knowledge, but they are intended for general informational purposes only.